

P E R F O R M A N C E



The 20 Series: Slides for Metal Applications

Q U A L I T Y



Accuride[®]

Table of Contents

Getting Started

- Common Applications 2
- Choosing a Slide 2
- Glossary of Terms 3
- Slide Selector Guide..... 3
- Ordering Information 3
- Material Specifications 3

Model Information

- Model 2120 4
- Model 3820 4
- Model 3320 5
- Model 3620 5

Design Information

- Cut-Out Recommendations
 - Drawer Member 6
 - Cabinet Member 7
- Material Thickness Modifications 6
- Retention Lug Detail 6
- Installation Instructions..... 7

To the Design Engineer:

The 20 Series is a complete family of slides with common mounting characteristics. The slides in this catalog are designed specifically for use in metal applications and utilize a standardized bayonet/pocket installation system. The pitch and gap details are consistent with tooling provided by Accuride. Each slide offers an anti-lift feature on the drawer and the cabinet member. All 20 Series slides are handed. The drawings are of left hand slides, right hand opposite. If a modification to this system is required to fit your specific application, please contact Accuride Engineering for design assistance. Minimum order quantities, tooling charges, and manufacturing leadtimes will apply. Please contact Accuride at (562) 903-0200 for more information.

Common Applications:

- Metal desks
- Box drawers
- File drawers
- Metal vertical or pedestal file cabinets
- Credenzas
- Panel-mounted components
- Tool/storage chests
- Medical/dental equipment/furniture
- Metal store fixtures

Slide Selection:

- Travel
- Side space
- Weight of drawer and contents
- Depth of drawer
- Depth of cabinet
- Height of drawer
- Material thickness – See page 6 for specific info
- Special features
- Detents, disconnects, etc.

Advantages of bayonet and pocket mounting:

- Easy installation and removal
 - Slides snap into position
- Strength
 - Bayonets are stronger than fasteners
- Tolerance absorption
 - The clearance between the fit of the bayonet and the mounting slot provides tolerance compensation
- Lower costs
 - Faster, easier installation reduces labor costs

Glossary of Terms

Load Rating The Accuride slides featured in this brochure are tested a minimum of 50,000 cycles in accordance with the guidelines of applicable ANSI/BIFMA specifications. This thorough testing means that you can count on Accuride slides to meet industry-accepted criteria. Our slides are rated for the dynamic cycle load that an 18" pair will carry without failure (this load rating decreases proportionally beyond the 18" length). The static (resting) load capacity of each model is at least twice the load rating, providing a minimum 100% static safety factor, even when the slide is loaded to its maximum rating. Because slide performance can be affected by factors unique to a specific application, always test slides in your intended application.

Extension Extension or "travel", refers to how far the drawer extends from the cabinet.

3/4 extension Drawer opens partially, approximately 3/4 of the total slide length

Full extension Drawer opens the same amount as the slide length

Over travel Drawer opens more than the length of the slide

Side Space

The amount of room necessary between the drawer side and the cabinet. The side space dimension is critical for optimal smooth movement.

Stops

The slide reaches a positive stop and cannot be opened any further. This is a safety feature which prevents accidental removal of the drawer.

Detent

Holds the slide closed until extra force is applied to overcome the detent.

Disconnect

Allows removal of drawer. A lever or latch must be actuated before the drawer can be removed from the cabinet.

Ordering

All 20 Series slides are handed slide models and have features which require a pair of slides, one left hand and one right hand slide, per drawer. All models are ordered as pairs.

Manufactured to Order

Slides are produced as ordered. Minimum order quantities and lead times apply.

Slide Selector Guide

Slide Model	Maximum Load Rating*	Travel	Side Space	Hold-In Detent	Lever Disconnect	Maximum Drawer Widths
2120	75 lb. [34 kg]	3/4	.50"	Yes	Yes	16" or less
3820	100 lb. [45 kg]	Full	.50"	Yes	Yes	16" or less
3320	120 lb. [55 kg]	Full	.50"	Yes	No	24" or less
3620	200 lb. [91 kg]	Full +1.00"	.75"	Yes	No	42" or less

* Load rating based on a pair of 18" slides

Ordering Information

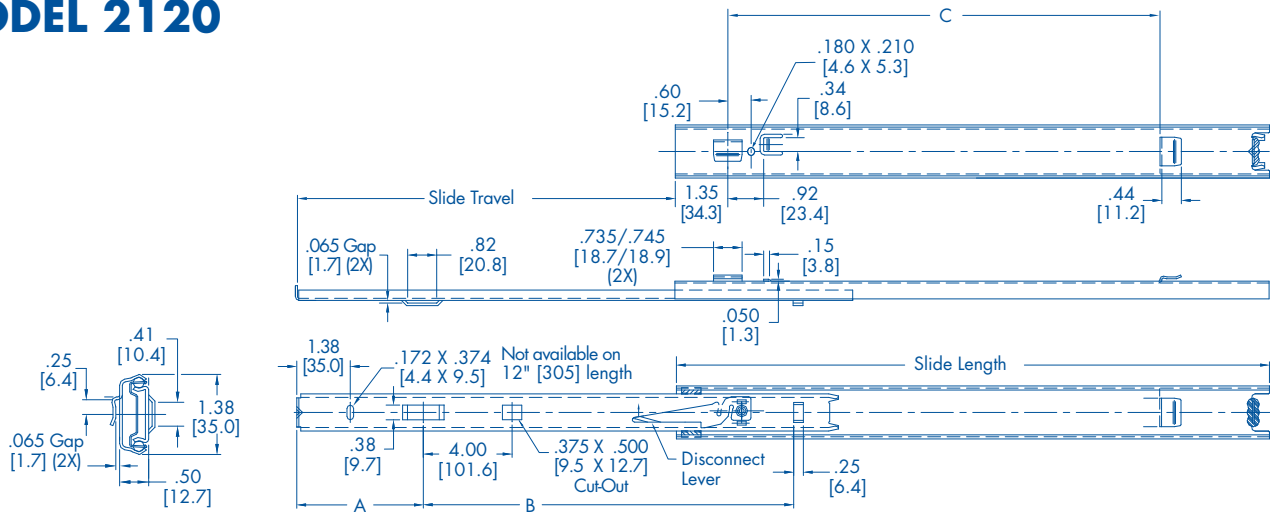
Sample Order - 500 Pair C 3320 - 16

Slide quantity ————
 Slide finish ————
 Slide model ————
 Slide length ————

Standard Material Specification

Slide members and ball retainers: Cold rolled steel
 Ball bearings: Carburized steel
 Standard "C" Finish: Electro-zinc plating
 Lubricant: Hi-Lo temperature grease
 Temperature Range: 24.8° F to + 180° F
 [-4° C to + 82.8° C]

MODEL 2120



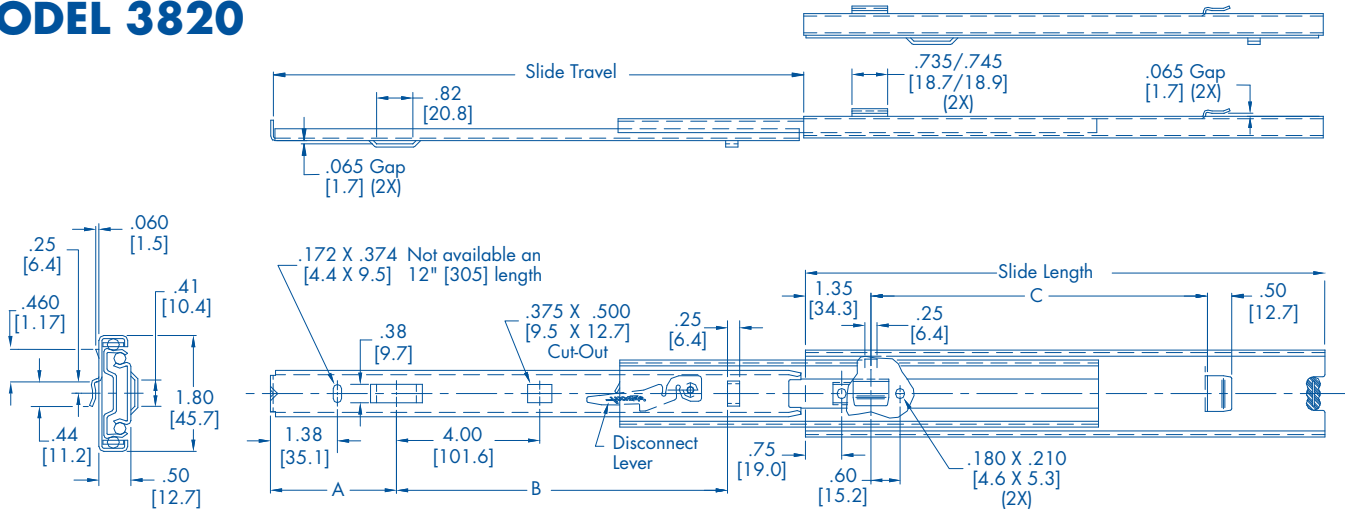
3/4 extension
 .50" [12.7 mm] side space*
 75 lb. [34 kg] load rating at 18" [457 mm]
 Hold-in detent
 Lever disconnect

Part Number	Slide Length	Slide Travel	A	B	C
2120-12	12.00 [305]	8.45 [215]	1.30 [33.0]	9.50 [241.3]	9.50 [241.3]
2120-14	13.78 [350]	9.73 [247]	2.30 [58.4]	9.50 [241.3]	9.50 [241.3]
2120-16	15.75 [400]	11.81 [300]	2.30 [58.4]	9.50 [241.3]	12.50 [317.5]
2120-18	17.72 [450]	13.29 [338]	2.80 [71.1]	12.50 [317.5]	12.50 [317.5]
2120-20	19.69 [500]	14.79 [376]	2.30 [58.4]	15.50 [393.7]	15.50 [393.7]
2120-22	21.65 [550]	16.34 [415]	3.30 [83.8]	15.50 [393.7]	15.50 [393.7]
2120-24	23.62 [600]	17.74 [451]	4.30 [109.2]	15.50 [393.7]	15.50 [393.7]
2120-26	25.59 [650]	18.73 [476]	5.30 [134.6]	15.50 [393.7]	15.50 [393.7]
2120-28	27.56 [700]	19.73 [501]	6.30 [160.0]	15.50 [393.7]	15.50 [393.7]

Inches [MM]

* Provide +.030/-.000 [+ .76 mm/.00 mm] tolerance in cabinet design

MODEL 3820



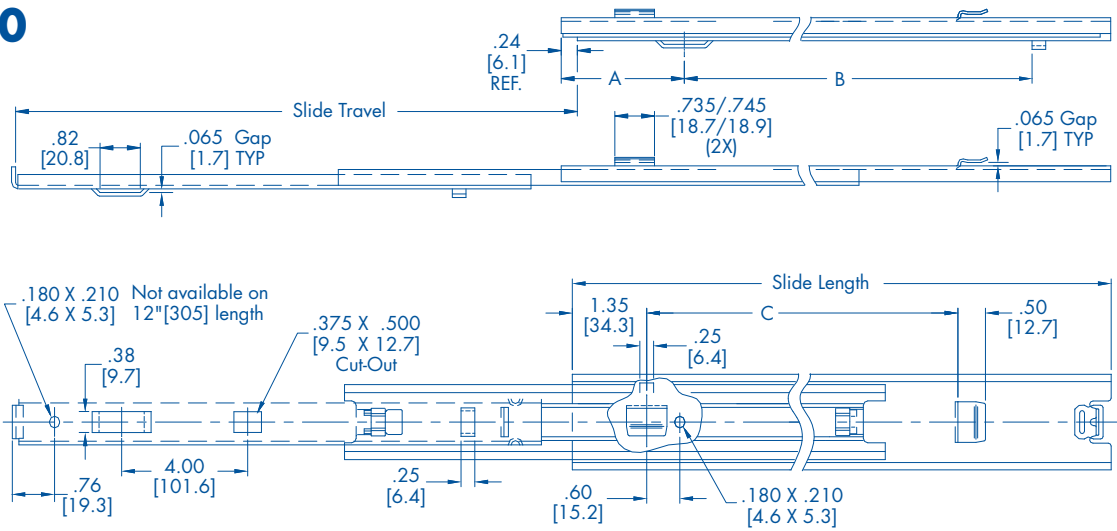
Full extension
 .50" [12.7 mm] side space
 100 lb. [45 kg] load rating at 18" [457 mm]
 Hold-in detent
 Lever disconnect

Part Number	Slide Length	Slide Travel	A	B	C
3820-12	12.00 [305]	12.00 [305]	1.30 [33.0]	9.50 [241.3]	9.50 [241.3]
3820-14	13.78 [350]	14.00 [356]	2.30 [58.4]	9.50 [241.3]	9.50 [241.3]
3820-16	15.75 [400]	16.00 [406]	2.30 [58.4]	9.50 [241.3]	12.50 [317.5]
3820-18	17.72 [450]	18.00 [457]	2.80 [71.1]	12.50 [317.5]	12.50 [317.5]
3820-20	19.69 [500]	20.00 [508]	2.30 [58.4]	15.50 [393.7]	15.50 [393.7]
3820-22	21.65 [550]	22.00 [559]	3.30 [83.8]	15.50 [393.7]	15.50 [393.7]
3820-24	23.62 [600]	24.00 [610]	4.30 [109.2]	15.50 [393.7]	15.50 [393.7]
3820-26	25.59 [650]	26.00 [660]	5.30 [134.6]	15.50 [393.7]	15.50 [393.7]
3820-28	27.56 [700]	28.00 [711]	6.30 [160.0]	15.50 [393.7]	15.50 [393.7]

Inches [MM]

* Provide +.030/-.000 [+ .76 mm/.00 mm] tolerance in cabinet design

MODEL 3320



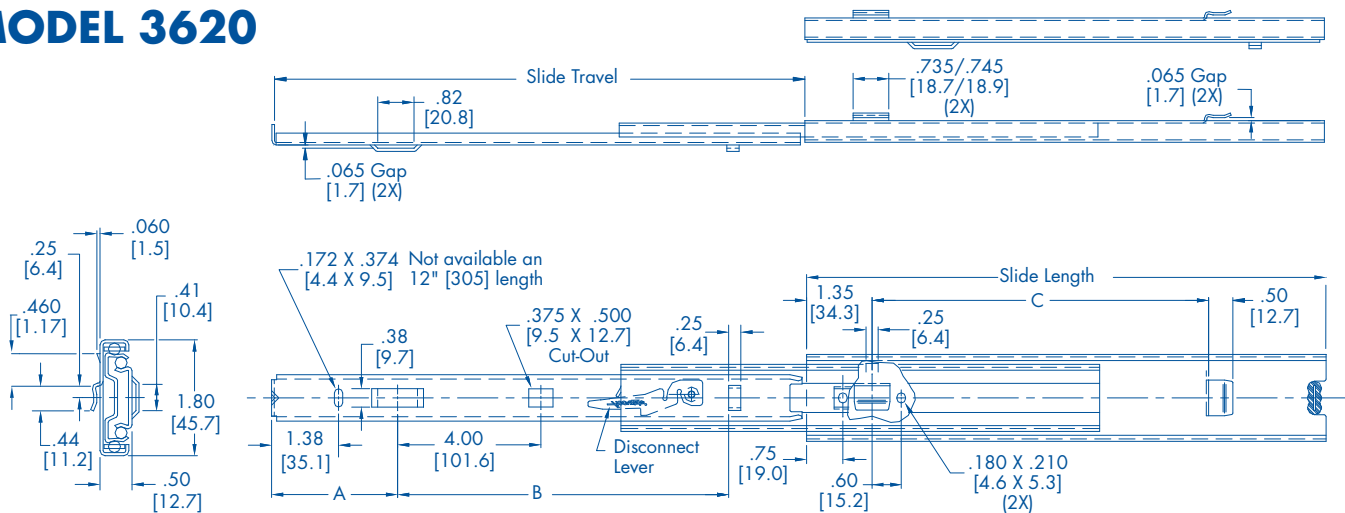
- Full extension
- .50" [12.7 mm] side space*
- 120 lb. [55 kg] load rating at 18" [457 mm]
- Hold-in detent
- Non disconnect
- Silencing open and closed

Part Number	Slide Length	Slide Travel	A	B	C
3320-12	12.00 [305]	12.00 [305]	1.30 [33.0]	9.50 [241.3]	9.50 [241.3]
3320-14	14.00 [356]	14.00 [356]	2.30 [58.4]	9.50 [241.3]	9.50 [241.3]
3320-16	16.00 [406]	16.00 [406]	2.30 [58.4]	9.50 [241.3]	12.50 [317.5]
3320-18	18.00 [457]	18.00 [457]	2.80 [71.1]	12.50 [317.5]	12.50 [317.5]
3320-20	20.00 [508]	20.00 [508]	2.30 [58.4]	15.50 [393.7]	15.50 [393.7]
3320-22	22.00 [559]	22.00 [559]	3.30 [83.8]	15.50 [393.7]	15.50 [393.7]
3320-24	24.00 [610]	24.00 [610]	4.30 [109.2]	15.50 [393.7]	15.50 [393.7]
3320-26	26.00 [660]	26.00 [660]	5.30 [134.6]	15.50 [393.7]	15.50 [393.7]
3320-28	28.00 [711]	28.00 [711]	6.30 [160]	15.50 [393.7]	15.50 [393.7]

* Provide + .030/- .000 [+ .76 mm / .00 mm] tolerance in cabinet design

Inches [MM]

MODEL 3620



- Full extension plus 1.00" [25.4 mm] over travel
- .75" [19.0 mm] side space*
- Sequential action
- 200 lb. [91 kg] load rating at 18" [457 mm]
- Hold-in detent
- Non disconnect
- Silencing open and closed

Part Number	Slide Length	Slide Travel	A	B	C
3620-14	14.00 [356]	15.00 [381]	2.30 [58.4]	9.50 [241.3]	9.50 [241.3]
3620-16	16.00 [406]	17.00 [432]	2.30 [58.4]	9.50 [241.3]	12.50 [317.5]
3620-17	17.00 [432]	18.00 [457]	2.30 [58.4]	12.50 [317.5]	12.50 [317.5]
3620-18	18.00 [457]	19.00 [483]	2.80 [71.1]	15.50 [393.7]	12.50 [317.5]
3620-20	20.00 [508]	21.00 [533]	2.30 [58.4]	15.50 [393.7]	15.50 [393.7]
3620-21	21.00 [533]	22.00 [559]	2.80 [71.1]	15.50 [393.7]	15.50 [393.7]
3620-22	22.00 [559]	23.00 [584]	3.30 [83.8]	15.50 [393.7]	15.50 [393.7]
3620-24	24.00 [610]	25.00 [635]	4.30 [109.2]	15.50 [393.7]	15.50 [393.7]
3620-26	26.00 [660]	27.00 [686]	5.30 [134.6]	15.50 [393.7]	15.50 [393.7]
3620-28	28.00 [711]	29.00 [737]	6.30 [160.0]	15.50 [393.7]	15.50 [393.7]

NOTE: 12.00" [305 mm] length not available

* Provide + .030/- .000 [+ .76 mm / .00 mm] tolerance

Inches [MM]

Drawer Cut-Out Recommendations

Cut-out recommendations are based on 16 gauge material thickness.

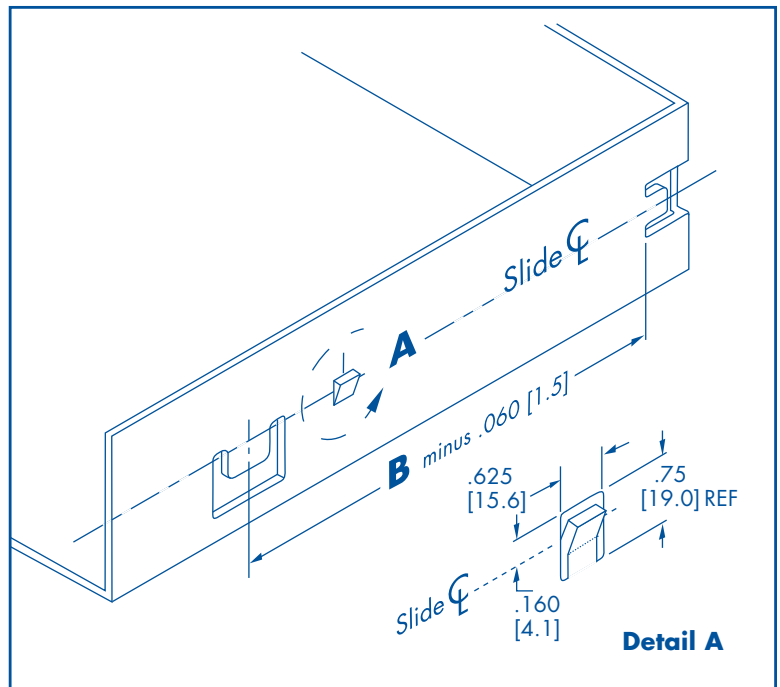
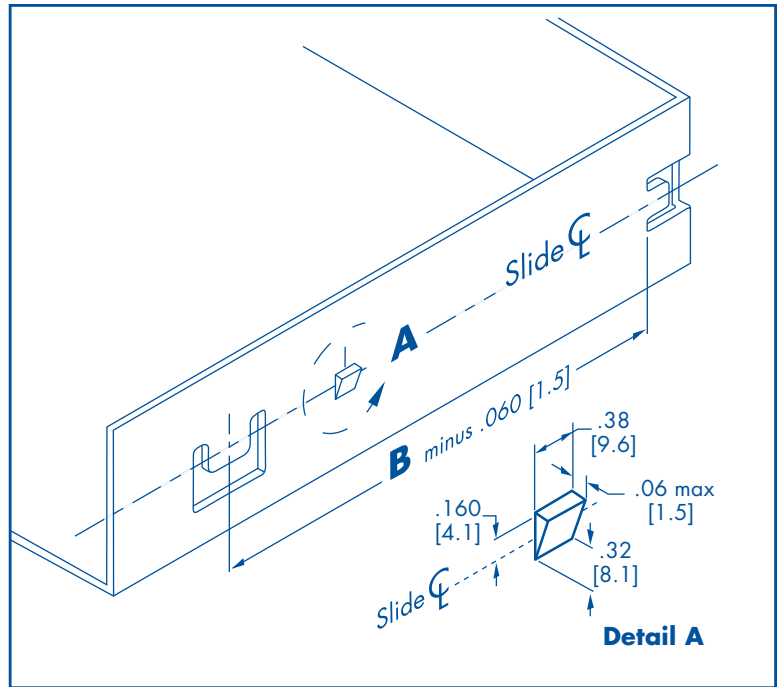
If a thinner material is used, adjustments to the cut-outs must be made to ensure a proper fit.

Refer to the table below for the required modifications for 16–22 gauge material.

Material Modifications

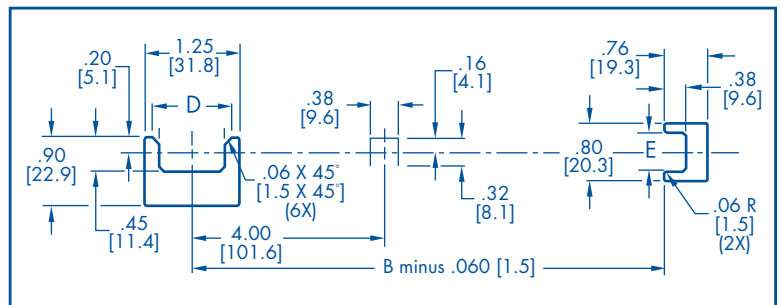
Gauge	Material Thickness	D	E
16	.060 [1.52]	.855 [21.7]	.395 [10.0]
18	.048 [1.22]	.865 [22.0]	.405 [10.3]
20	.036 [.91]	.885 [22.5]	.425 [10.8]
22	.030 [.76]	.905 [23.0]	.435 [11.1]

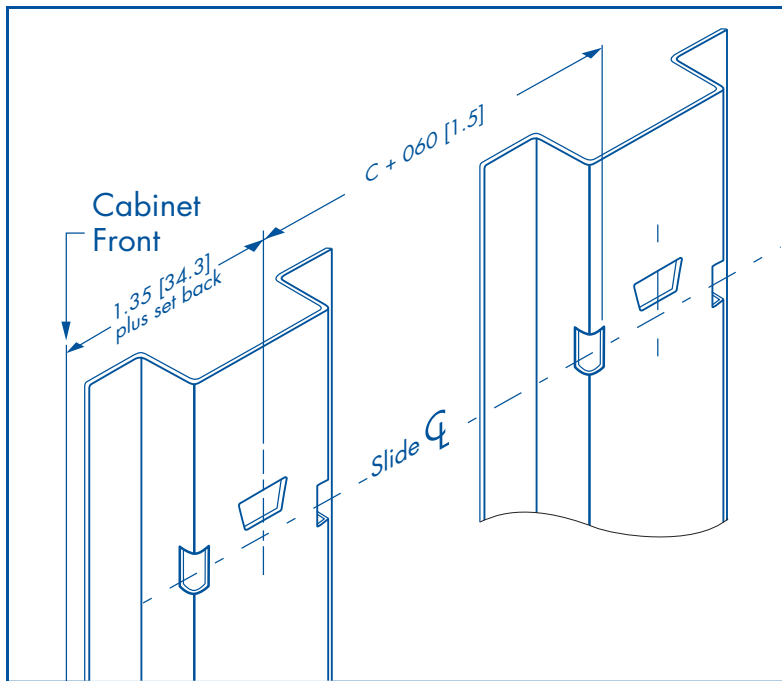
For B dimension, see tabulated slide tables on pages 4 & 5.



Alternative Drawer Cut-Out Recommendation

Detail of Drawer Member Cut-Outs





Typical Cabinet Hat Section

Cabinet Cut-Out Recommendations

The front and rear hat sections shown here are identical. They are required for all 20 Series slide installations.

The vertical cut-out at the front of the rear hat section* accepts the rear cabinet member tab of all 20 Series models.

The vertical cut-out at the back of the front hat section accepts the anti-lift tab on Model 2120.**

Setback = Thickness of inset drawer front where applicable + .12" [3.1 mm] clearance.

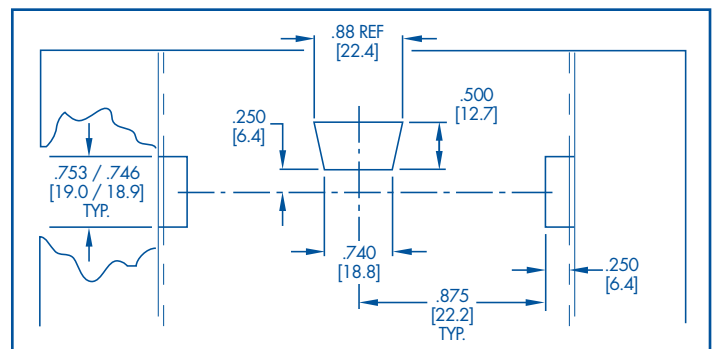
For C dimension, see tabulated slide tables on page 4 & 5.

Slide Installation

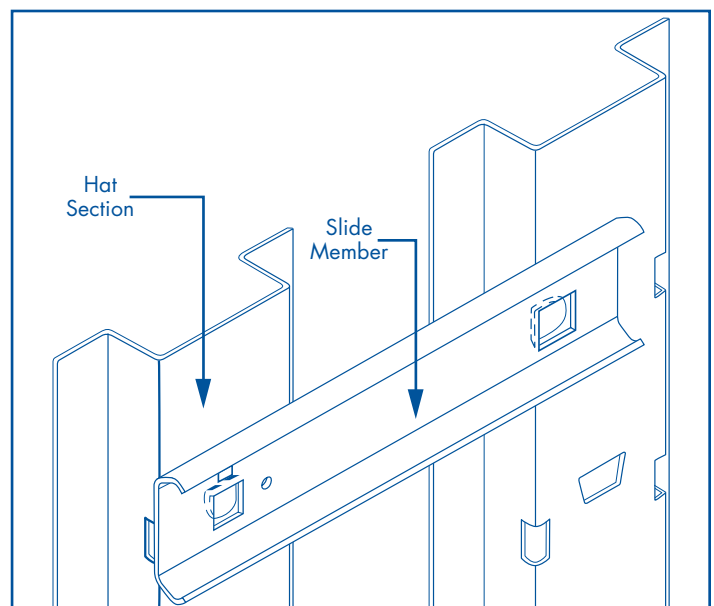
- Place the rear cabinet member tab into rear hat section slot and slide back.
- Press down on slide until cabinet member tab fully engages front hat section slot. The retention lug above the tab should lock against the top edge of the cut-out.
- On Model 2120, the anti-lift tab will snap into the rear vertical cut-out.
- Extend slides.
- Place the rear drawer tab into the rear drawer member slot and slide back.
- Lower the front of the drawer until the drawer tab fully engages the slide pocket and snaps into place

Slide Removal

- For Models 3320, 3620, and 3820, remove drawer reversing the installation procedure. Twist cabinet member to disengage anti-lift feature.
- For Model 2120, remove drawer, then using a finger or screwdriver, depress the cabinet member anti-lift tab inward.
- Lift slide to remove.



Detail of Cabinet Member Cut-Outs



ACCURIDE INTERNATIONAL INC.

NORTH AMERICA

INTERNATIONAL HEADQUARTERS

12311 Shoemaker Avenue
Santa Fe Springs, California 90670
562 903-0200 Telephone
562 903-0208 Fax
www accuride.com

Calle Circuito Norte No. 12
Parque Industrial Nelson
Mexicali, B.C., C.P. 21395 Mexico

EUROPE

Postfach 1464
Werner - Von Siemens - Strasse 16-18
65573 Diez/Lahn
Germany
(49 64 32) 6 08-0 Telephone
(49 64 32) 6 08-20 Fax
www accuride-europe.com

Liliput Road
Brackmills Industrial Estate
Northampton, NN4 7AS
United Kingdom
(441) 604-761111 Telephone
(441) 604-767190 Fax
www accuride-europe.com

ASIA

Yusen Awajicho Building
1-4-1, Kanda-Awaji-Cho, Chiyada-ku
Tokyo 101-0063 Japan
81-3-5209-7401 Telephone
81-3-5296-1081 Fax
www accuride.co.jp

Accuride International Suzhou Co. LTD
No. 178, Suhong East Road
Suzhou Industrial Park
Jiangsu Province, China 215026
86-512-62731200 Telephone
86-512-62833993 Fax
www accuride.com.cn

Accuride[®]

INTERNATIONAL HEADQUARTERS

12311 Shoemaker Avenue
Santa Fe Springs, California 90670
Phone: 562 903-0200
Fax: 562 903-0208
www accuride.com