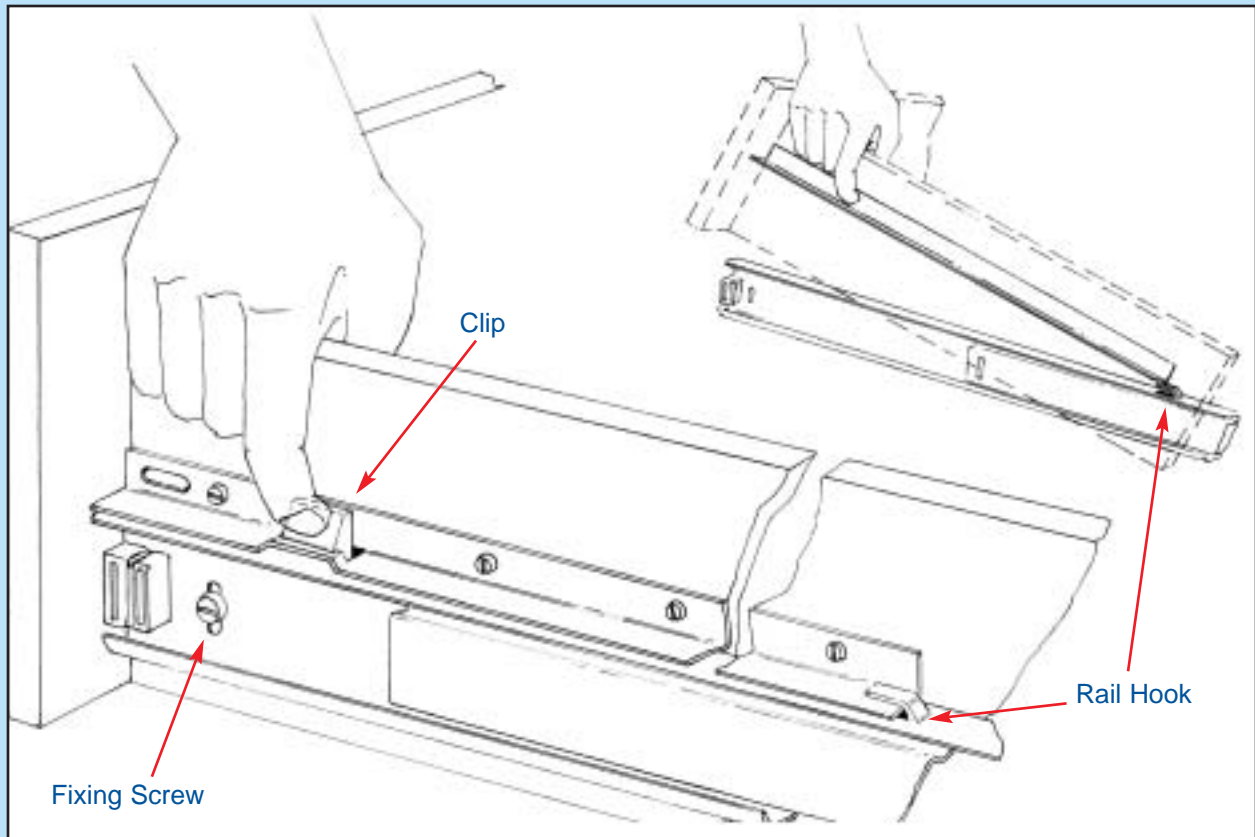


# UNHANDED RAIL DISCONNECT INSTRUCTIONS

**MODELS 2025, 2037,  
3005, 3017, 3025, 3037**



## **To Remove Drawer**

- Pull the drawer fully open (remove fixing screw if required).
- Simultaneously push the black plastic clip on both rails "in" and hold in place.
- At the same time, lift the drawer and pull forward to disengage the rail from the slide.

## **To Reinsert Drawer**

- Engage rail with the hook at the end of the slide.
- Lower drawer and allow the clip to pass through the opening in the rail.
- A "click" will be heard as the clip locks.
- Replace fixing screw if required.