

New! 2011
新产品系列

Accuride®

Giant 铝制耐腐蚀重载型滑轨系列
Aluminium, heavy duty slide

百蚀不侵 — 铝质轻身，高抗腐蚀

大力重载 — 载重高达300kg

The light slide for loads up to 300 kg,
Corrosion resistant

此款AL4160滑轨集紧凑型设计，
重载负荷、适应高湿度环境的耐
腐蚀性等特性于一身，目前在消
防车、急救车、运钞车的设备存储单元多有应用

This 100% extension slide delivers an effective movement solution where full access is needed. This slide combines a compact design, heavy load capability and the corrosion resistant materials ideal for many industries and applications, such as access for maintenance and repair, equipment and battery in fire truck and emergency ambulance industries

Accuride®

Giant 铝制耐腐蚀性重载型滑轨系列 Aluminium, heavy duty slide

这款产品集紧凑型设计、重载负荷、耐腐蚀的特性，广泛应用于诸多行业

Developed within Accuride's own engineering design centre, this slide combines a compact design, heavy load capability and the corrosion resistant

应用：

- 设备及电池储存单元
- 维修和保养工具储存单元
- 重载储存及陈列
- 电子零部件机架
- 机械制造

Applications：

- Equipment and battery access
- Access for maintenance and repair
- Heavy duty storage and display
- Rack mounted electronic components
- Machine building



特征与优点：

- 全行程
- 铝制材料，耐腐蚀
- 材料规格：滑轨本体为铝制材料 AW6082 (3.32315/AIMgSi 1)，滚珠框及滚珠采用不锈钢材料
- 垂直安装(侧面安装)
- 10000次动态循环测试

Features & Benefits：

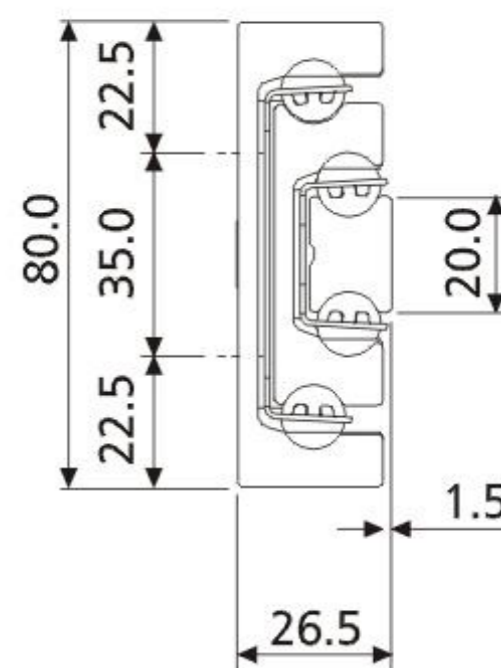
- 100% extension
- Corrosion resistant
- Aluminium slide AW6082 (3.32315/AIMgSi 1), stainless steel ball bearings (1.402) and retainer (1.4301)
- Vertical (side) mounting only
- 10,000 cycles

规格：

- 最大额定载荷300kg
- 侧边间隙26.5mm
- 12种长度为300mm至1000mm

Specification：

- Load rating up to 300kg
- Slide space 26.5mm
- Stocked in 12 lengths, 300-1000mm



Accuride®

雅固拉国际精密工业(苏州)有限公司
Accuride International Precision Industrial (Suzhou) Co., Ltd

苏州

Address: 苏州工业园区苏虹东路178号(215026)
NO.178, Suhong East Road, Suzhou Industrial Park, Jiangsu, China
Tel: 86-512-62731200 Fax: 86-512-62833993

上海

Address: 上海市长宁区茅台路1068号天祥大厦311室(200336)
Rm311, No.1068, Maotai Road, Changning District, Shanghai, China.
Tel: 021-32516928 Fax: 021-32516925