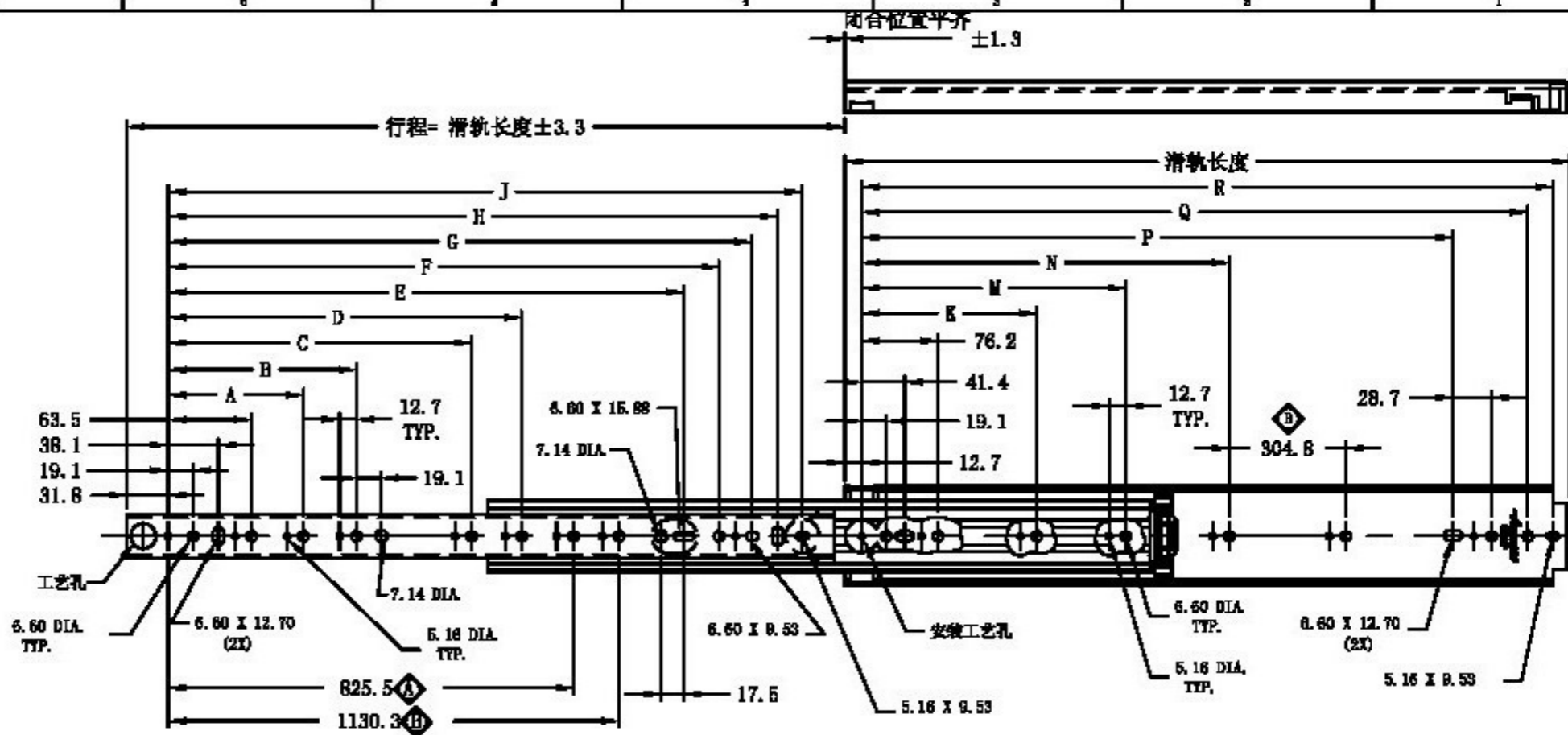
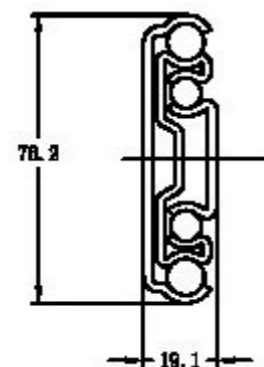


- Ⓐ: 仅适用于9301-48 和 9301-60 系列
- Ⓑ: 仅适用于9301-60系列



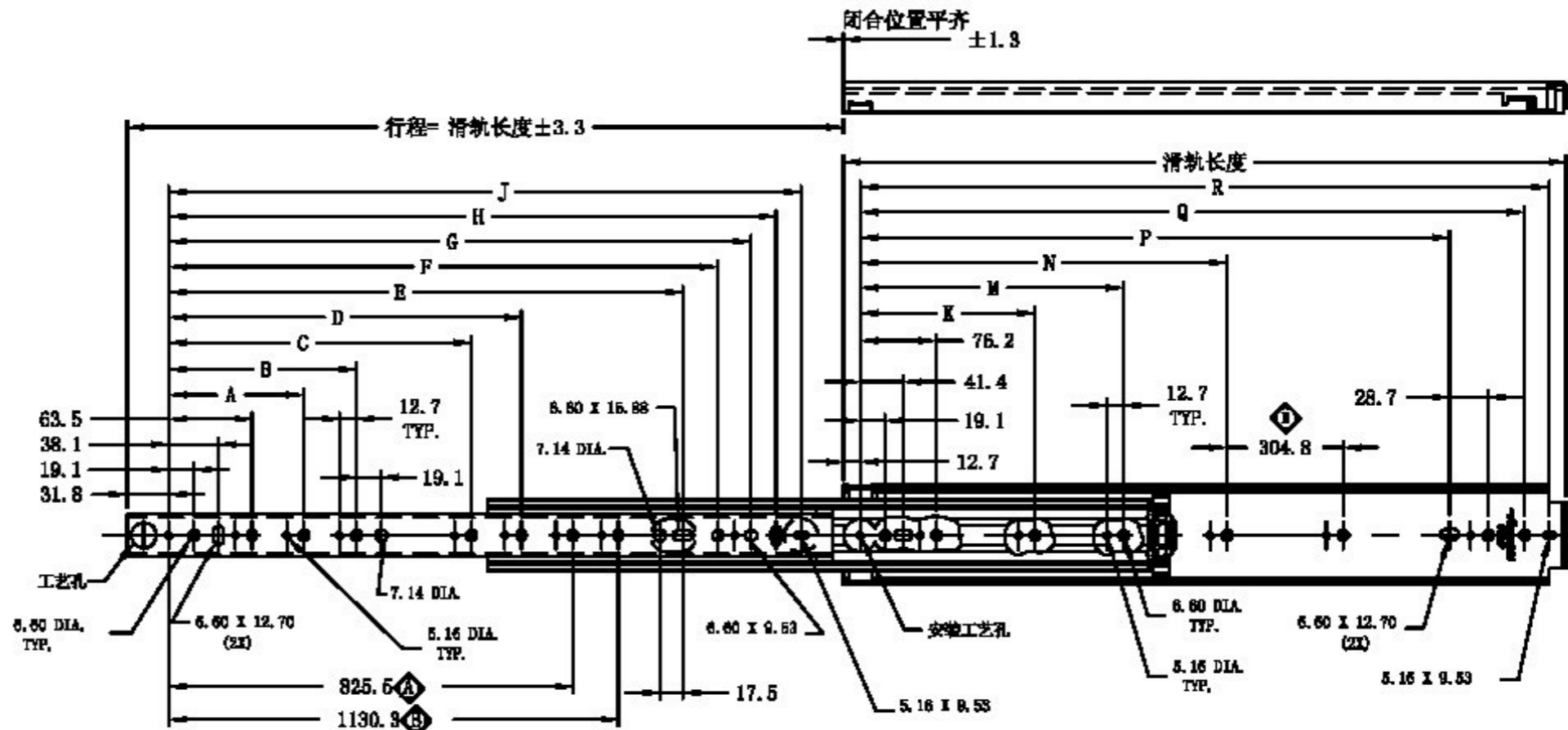
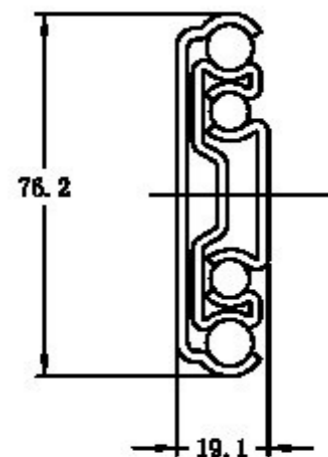
28 英寸以上见第二页

PART NO.	长度	A	B	C	D	E	F	G	H	J	K	M	N	P	Q	R
-10	10.00 [254.0]	—	—	—	—	—	4.08 [103.1]	6.08 [152.6]	6.81 [172.8]	8.68 [219.0]	—	—	—	8.00 [203.2]	8.25 [209.6]	9.00 [228.6]
-12	12.00 [304.8]	—	—	—	—	—	4.08 [103.1]	7.08 [179.8]	7.81 [198.4]	8.68 [219.0]	—	—	—	8.00 [203.2]	10.25 [260.4]	11.00 [279.4]
-14	14.00 [355.6]	—	—	—	—	—	4.08 [103.1]	8.08 [205.1]	8.81 [224.2]	10.68 [270.2]	—	—	—	10.00 [254.0]	12.25 [311.2]	13.00 [330.2]
-15	15.00 [381.0]	6.00 [152.0]	—	—	—	—	4.08 [103.1]	10.08 [256.5]	10.81 [274.8]	11.68 [295.5]	—	—	—	11.00 [279.4]	13.25 [336.6]	14.00 [355.6]
-16	16.00 [406.4]	6.00 [152.0]	—	—	—	—	4.08 [103.1]	11.08 [280.9]	11.81 [300.0]	12.68 [319.0]	—	—	—	12.00 [304.8]	14.25 [362.0]	15.00 [381.0]
-18	18.00 [457.2]	6.00 [152.0]	—	—	—	6.69 [169.9]	12.08 [306.3]	13.08 [331.7]	13.81 [350.8]	14.68 [369.8]	—	—	—	14.00 [355.6]	16.25 [412.6]	17.00 [431.6]
-20	20.00 [508.0]	6.00 [152.0]	7.60 [193.0]	—	—	11.69 [296.6]	14.08 [357.1]	15.08 [382.5]	15.81 [401.6]	16.68 [420.6]	—	—	—	16.00 [406.4]	18.25 [463.6]	19.00 [482.6]
-22	22.00 [558.8]	6.00 [152.0]	7.60 [193.0]	—	—	13.69 [347.7]	16.08 [407.9]	17.08 [433.3]	17.81 [452.4]	18.68 [471.4]	—	—	—	18.00 [457.2]	20.25 [514.4]	21.00 [533.4]
-24	24.00 [609.6]	6.00 [152.0]	7.60 [193.0]	—	—	15.69 [398.5]	18.08 [458.7]	19.08 [484.1]	19.81 [503.2]	20.68 [522.2]	—	—	—	20.00 [508.0]	22.25 [565.2]	23.00 [584.2]
-26	26.00 [660.4]	6.00 [152.0]	7.60 [193.0]	—	—	17.69 [449.3]	20.08 [509.5]	21.08 [534.9]	21.81 [554.0]	22.68 [573.0]	—	—	—	22.00 [562.8]	24.25 [616.0]	25.00 [635.0]
-28	28.00 [711.2]	6.00 [152.0]	7.60 [193.0]	—	—	19.69 [500.1]	22.08 [560.3]	23.08 [585.7]	23.81 [604.8]	24.68 [623.8]	—	—	—	24.00 [609.6]	26.25 [668.8]	27.00 [687.6]

9. 9301-44 只提供数量包装方式
  8. 滑轨在关闭时有静音功能
  7. 除了组件图示中标示的孔之外, ACCURIDE 有选择权决定增加其他的孔
  6. 安装穿过型的滑轨组件, 最大间隙为高度方向 2.54mm X 径向 0.14mm 从而保证完全地穿过滚珠框
  5. 测量滑轨的宽度以闭合位置为准, 穿过滑轨组件与球轴承充分接触的区域
  - Ⓐ 表面处理: 电镀锌
  3. 润滑剂: 使用高低温条件下的润滑油
  2. 球轴承: 碳钢
  1. 材料: 滑轨组件和元件部分, 加工硬化, 冷轧钢
- 注释: 如无其它指定

品牌: ACCURIDE 零件号: _____ 日期: _____ 设计: C. GAO 审核: _____	规格: _____ 材料: _____ 表面处理: _____ 公差: _____	3-MEMBER, HALL BEARING HEAVY-DUTY SLIDE 零件号: 9301-10/60 版本: A	

- Ⓐ: 仅适用于9301-48 和 9301-60 系列
- Ⓑ: 仅适用于9301-60系列



长度 30 以下见第一页

PART NO.	长度	A	B	C	D	E	F	G	H	J	K	M	N	P	Q	R
-30	30.00 [762.0]	5.00 [127.0]	7.50 [190.5]	14.50 [368.3]	—	21.60 [550.8]	24.06 [611.1]	25.06 [636.8]	26.81 [680.8]	28.56 [724.6]	8.26 [210.0]	—	19.75 [501.7]	28.00 [711.2]	28.25 [717.6]	29.00 [736.8]
-32	32.00 [812.8]	5.00 [127.0]	7.50 [190.5]	14.50 [368.3]	—	23.60 [601.7]	26.06 [661.9]	27.06 [687.3]	27.81 [706.4]	29.56 [750.4]	8.26 [210.0]	16.50 [419.1]	21.75 [553.6]	28.00 [711.2]	30.25 [769.4]	31.00 [788.8]
-34	34.00 [863.6]	5.00 [127.0]	7.50 [190.5]	14.50 [368.3]	16.50 [419.1]	25.60 [652.6]	28.06 [712.7]	29.06 [738.1]	29.81 [757.2]	30.56 [776.2]	8.26 [210.0]	16.50 [419.1]	23.75 [603.9]	30.00 [762.0]	32.25 [819.2]	33.00 [838.8]
-36	36.00 [914.4]	5.00 [127.0]	7.50 [190.5]	14.50 [368.3]	20.50 [520.7]	27.60 [702.3]	30.06 [763.5]	31.06 [788.9]	31.81 [808.0]	32.56 [827.0]	9.26 [236.0]	17.50 [444.5]	25.75 [654.1]	32.00 [812.8]	34.25 [870.0]	35.00 [889.8]
-40	40.00 [1016.0]	5.00 [127.0]	7.50 [190.5]	14.50 [368.3]	20.50 [520.7]	31.60 [804.9]	34.06 [865.1]	35.06 [890.5]	35.81 [909.6]	36.56 [928.6]	9.26 [236.0]	21.50 [544.1]	29.75 [756.7]	38.00 [964.4]	38.25 [970.8]	39.00 [990.0]
-42	42.00 [1066.8]	5.00 [127.0]	7.50 [190.5]	14.50 [368.3]	20.50 [520.7]	33.60 [855.7]	36.06 [915.9]	37.06 [941.3]	37.81 [960.4]	38.56 [979.4]	9.26 [236.0]	21.50 [544.1]	31.75 [806.6]	38.00 [965.2]	40.25 [1022.4]	41.00 [1041.4]
-44	44.00 [1117.6]	5.00 [127.0]	7.50 [190.5]	14.50 [368.3]	20.50 [520.7]	35.60 [906.5]	38.06 [967.7]	39.06 [992.1]	39.81 [1011.2]	40.56 [1030.2]	9.26 [236.0]	21.50 [544.1]	33.75 [857.3]	40.00 [1016.0]	42.25 [1073.2]	43.00 [1092.8]
-48	48.00 [1219.2]	5.00 [127.0]	7.50 [190.5]	14.50 [368.3]	20.50 [520.7]	39.60 [1008.1]	42.06 [1069.3]	43.06 [1093.7]	43.81 [1112.8]	44.56 [1131.8]	9.26 [236.0]	23.50 [596.8]	37.75 [958.9]	44.00 [1117.6]	46.25 [1174.8]	47.00 [1194.8]
-54	54.00 [1371.6]	5.00 [127.0]	7.50 [190.5]	14.50 [368.3]	20.50 [520.7]	45.60 [1160.5]	48.06 [1221.9]	49.06 [1246.3]	49.81 [1265.8]	50.56 [1284.2]	9.26 [236.0]	23.50 [596.8]	37.75 [958.9]	50.00 [1270.0]	52.25 [1327.2]	53.00 [1346.8]
-60	60.00 [1524.0]	5.00 [127.0]	7.50 [190.5]	14.50 [368.3]	20.50 [520.7]	51.60 [1312.9]	54.06 [1374.1]	55.06 [1398.5]	55.81 [1417.6]	56.56 [1436.6]	9.26 [236.0]	23.50 [596.8]	37.75 [958.9]	56.00 [1422.4]	58.25 [1479.6]	59.00 [1498.8]

9. 9301-44 只提供批量包装方式
  8. 滑轨在关闭时有静音功能
  7. 除了组件图中标示的孔之外, ACCURIDE 有选择权决定增加其他的孔
  6. 安装穿过型的滑轨组件, 最大间隙为高度方向 2.54mm 径向 0.14mm 从而保证完全地穿过滚珠槽
  5. 测量滑轨的宽度以闭合位置为准, 穿过滑轨组件与球轴承充分接触的区域
  - ④ 表面处理: 电镀镍
  3. 润滑剂: 使用高低温条件下的润滑油脂
  2. 球轴承: 碳钢
  1. 材料: 滑轨组件和元件部分: 加工硬化, 冷轧钢
- 注释: 如无其它指定

零件号: ACCURIDE 规格: 3-MEMBER, BALL RETAINER HEAVY-DUTY SLIDE 零件号: 9301-10/60 版本: A	日期: 24-2017-06 版本: 1.0 更改: ± 0.1mm 公差: ± 0.1mm 公差: ± 0.1mm	日期: 24-2017-06 版本: 1.0 更改: ± 0.1mm 公差: ± 0.1mm 公差: ± 0.1mm	日期: 24-2017-06 版本: 1.0 更改: ± 0.1mm 公差: ± 0.1mm 公差: ± 0.1mm