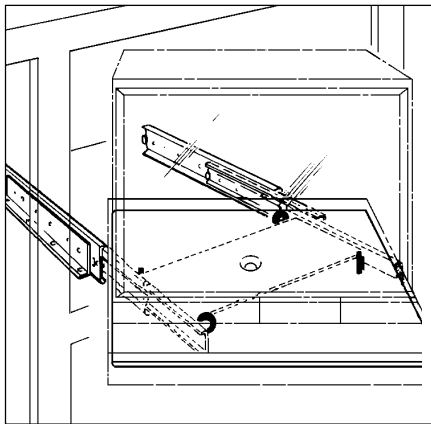




MODEL CB3620-258TV

APPLICATIONS: Entertainment centers, computer workstations, and audio/visual equipment. For TV's up to 36" diagonal.

Heavy Duty TV Swivel
225 lb. [102 kg.] Capacity



Finish Black zinc (CB) finish

Plate Dimensions 16" X 16" [406.4mm X 406.4mm]

Height 2.42" ± .10 [61.5mm ± 2.5mm]

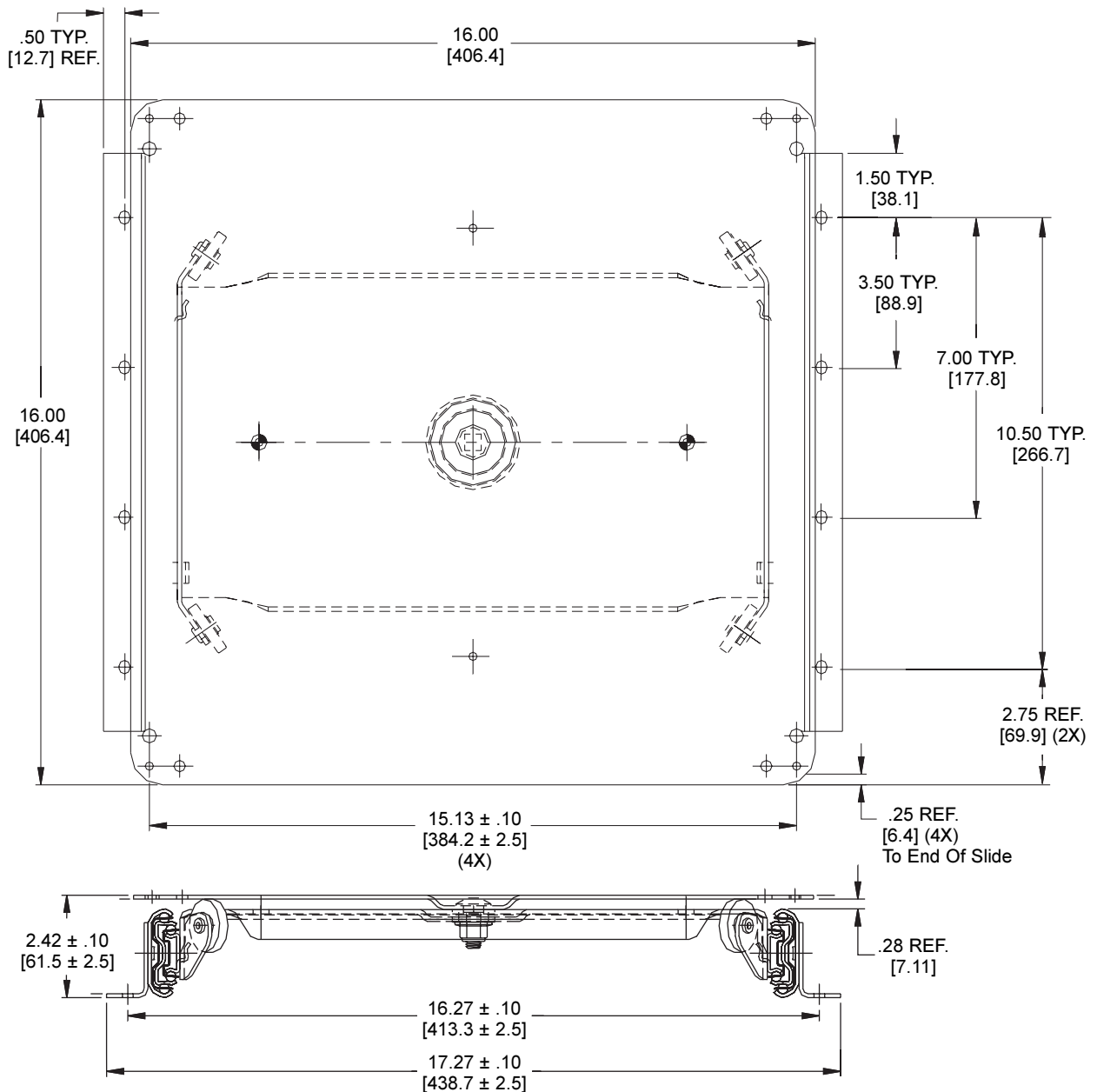
Travel 14" [355.6mm]

Load 225 lbs.* [102 kg.] (including mounting shelf)

Mounting Bracket

Hardware All necessary mounting hardware included.
See "Packaging" information on back page.

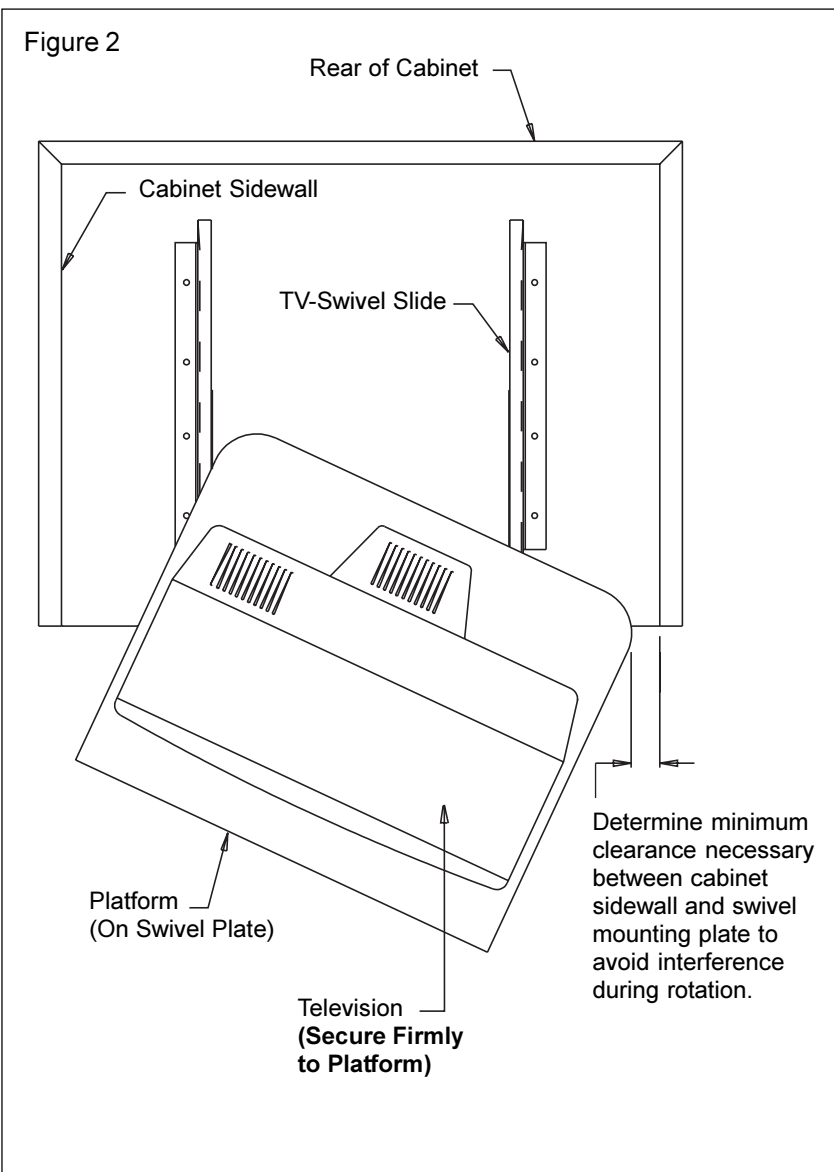
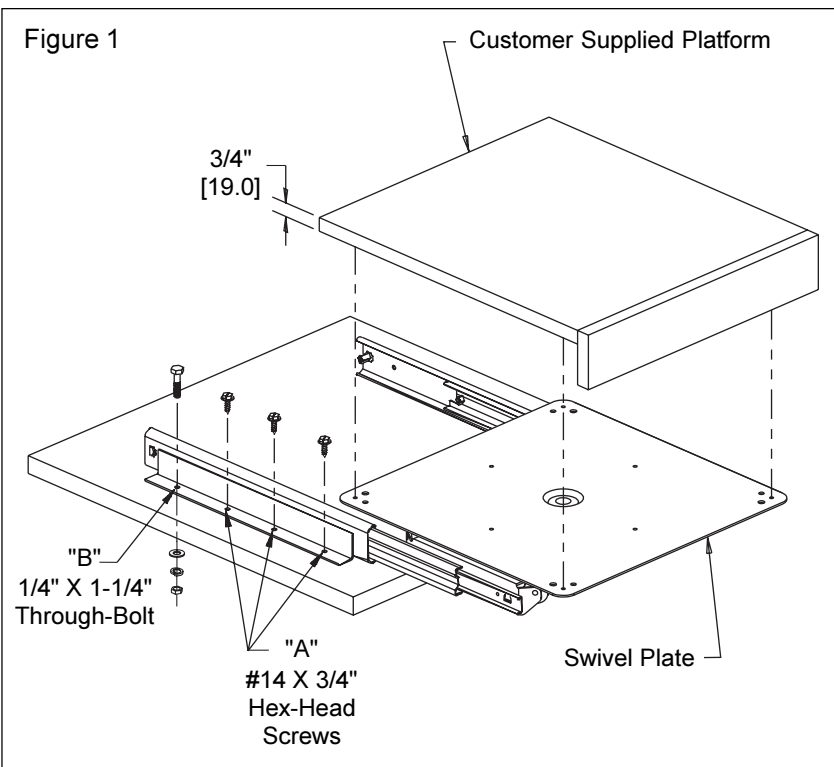
*Load rating based on 10,000 cycles.



Position the swivel assembly (two slides attached to the swivel plate) on the cabinet base so the swivel platform (including the fascia) is located as far forward as possible. Swivel platform is supplied by the cabinet manufacturer or customer. The television's center of gravity should rest directly over the pivot point of the swivel or rearward. It is recommended the cabinet base and platform be a minimum of 3/4" [19.0] thick.

STEP 1

- Mount the swivel assembly to the cabinet base through the front three holes (A) on the angle bracket using the #14 X 3/4" hex head wood screws provided in hardware kit.
- Drill 5/32" pilot holes as required to prevent wood from splitting.
- Secure the base with 1/4" X 1-1/4" bolts, flat washers, lock washers, and nuts (provided in hardware kit) through the rear (B) set of holes. See Figure 1.



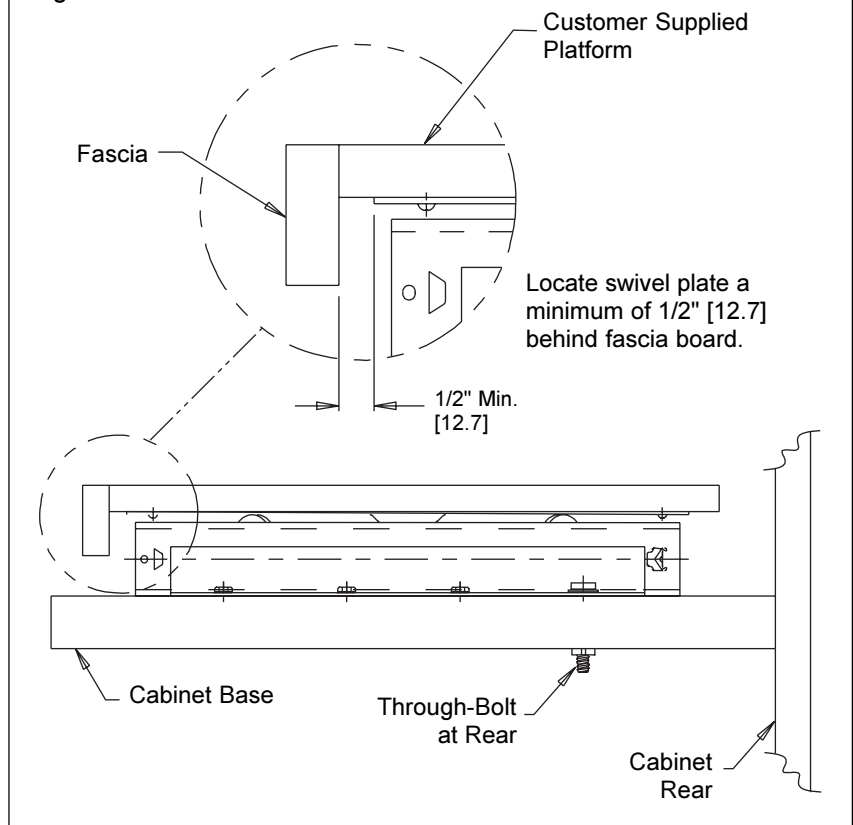
NOTE

1. For a cabinet base more than 3/4" [19.0] thick, longer bolts (purchased separately) are required.
2. Leave enough clearance between the cabinet sidewall and the swivel plate to avoid interference during rotation. See Figure 2. Radius corners of your platform board as required.

STEP 2

- Open the slides to the fully extended position.
- Place the platform on the swivel assembly plate so the rear of the fascia board is located a **minimum** of 1/2" [12.7] from the front of the swivel plate edge. See Figure 3.

Figure 3



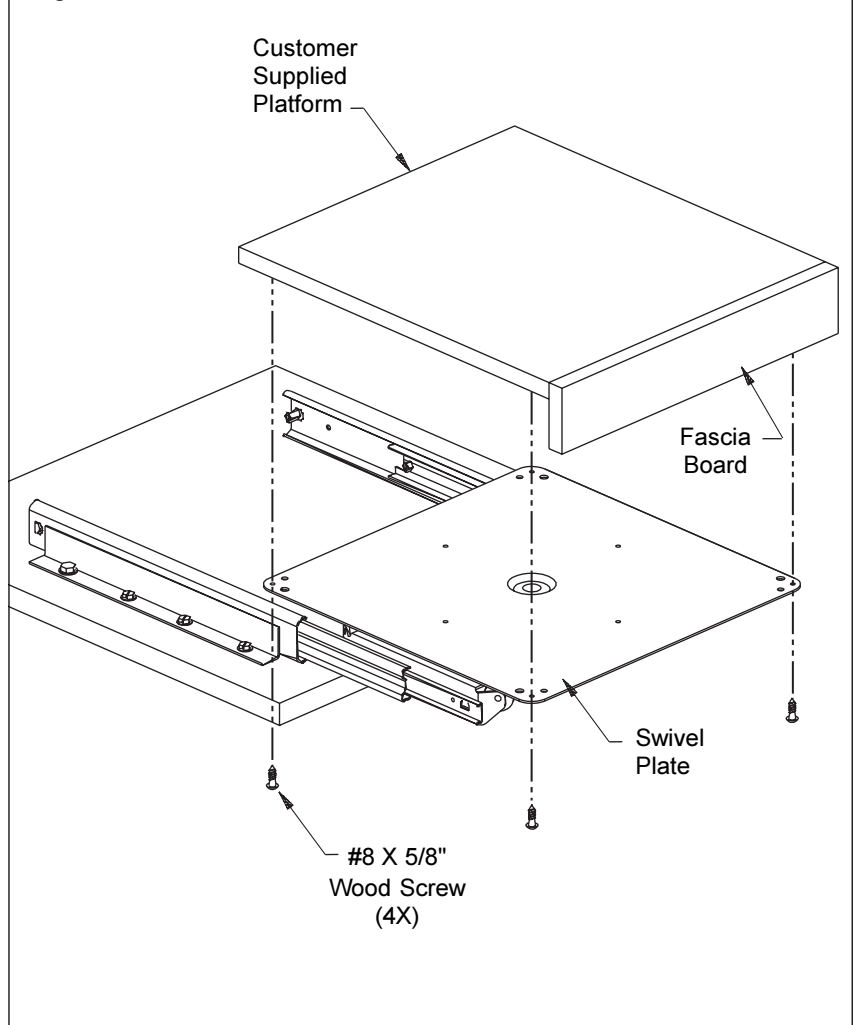
STEP 3

- Locate the smallest mounting holes in each corner of the plate (.190 [4.8] diameter). Secure with #8 X 5/8" wood screws provided in hardware kit. See Figure 4.
- Alternate holes are provided for larger mounting screws (not supplied).

NOTE

1. Once installed, the television should be secured to the platform to prevent tipping during pullout.
2. The power and antenna supply cables should be of sufficient length to allow a full 90° turn in either direction. However, these cables should also be supported out of the way of the moving members of the swivel assembly.

Figure 4



PLEASE READ THE FOLLOWING

CAUTION

- This product is capable of carrying the stated loads when the structure into which it is mounted is designed to safely carry such loads.
- The cabinet maker should ensure the final structure is safe and stable when carrying the maximum intended load. ANSI/BIFMA X5.6 and U.L. 1950 provide standards for static and dynamic load, stability, and endurance testing.
- These and other applicable standards can be obtained from:

American National Standards Institute

11 West 42nd Street
New York, NY 10036
TEL (212) 642-4900
WWW.ANSI.ORG

**Business and Institutional Furniture
Manufacturer's Association**

2680 Horizon Drive, S.E.
Suite A-1
Grand Rapids, MI 49546-7500
TEL (616) 285-3963
WWW.BIFMA.COM

Underwriters Lab

1285 Walt Whitman Road
Melville, L.I., NY
TEL (631) 271-6200
WWW.UL.COM

In addition to the above, ensure the following:

1. The deck to which the TV swivel assembly is bolted must be securely attached to the cabinet structure.
2. Ensure the power and antenna cables are supported such that they are not stressed by extension and swivel action, nor tangled in the slide mechanism.
3. Before fully loading the pull-out swivel shelf, make sure the furniture is either counterbalanced or bolted to the floor or wall. This will ensure the furniture does not tip over when the shelf is fully loaded and extended.
4. The load on the sliding shelf must be restrained to prevent shifting or tipping as the shelf is extended. Velcro retaining straps are available through most major TV retailers.

Complete your order for Accuride model CB3620-258TV by specifying the following:

Total Swivels Required 1 Each
Swivel Part Number CB3620-258TV

Packaging/Hardware Kit

One swivel assembly packaged in a special carton with slides attached to swivel plate. Hardware mounting kit provided and included with swivel assembly.

Hardware mounting kit, part number 4180-0261-XE, contains all hardware needed to mount one TV swivel. Kit contains:

4 each #8 X 5/8" phillips round head wood screws
6 each #14 X 3/4" slotted hex washer screws
2 each 1/4-20 X 1-1/4" hex head bolts
2 each 1/4-20 hex nuts
2 each 1/4" flat washers
2 each 1/4" lock washers
1 each Load rating decal

Specifications

Slide members and ball retainers: Cold rolled steel

Ball bearings: Carburized steel

Note: Specifications, materials, prices, terms, and delivery are subject to change without notice.

Accuride

ACCURIDE INTERNATIONAL INC.

12311 Shoemaker Avenue
Santa Fe Springs, CA 90670

TEL (562) 903-0200

FAX (562) 903-0208

www accuride.com

Manufacturing, Engineering, and Sales

United States • Germany • Japan • Mexico • United Kingdom