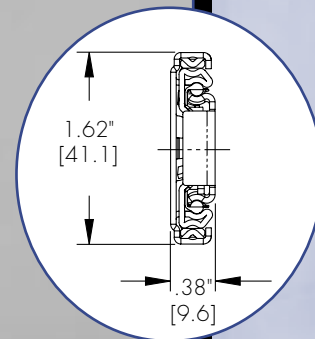
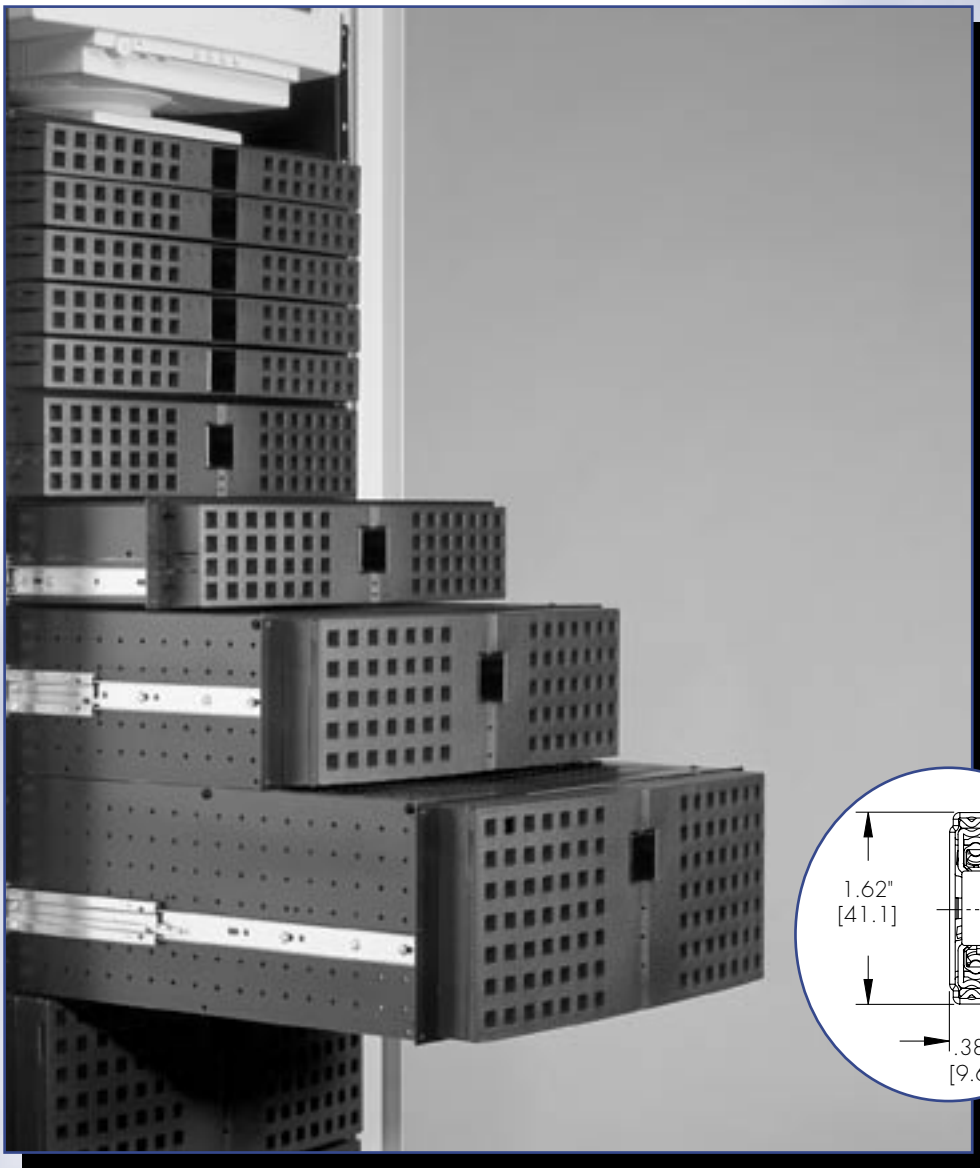


2907

The Narrowest, Full Ball Bearing Slide for 1U to 4U Chassis

- Thin side space .38" (9.6 mm)
- Low profile height 1.62" (41.1 mm)
- 115 lb. [52 kg] load capacity
- Two inches [50.8 mm] of over travel



Accuride[®]



Front bracket
1/2" [12.7 mm] of adjustment



Rear bracket
2" [50.8 mm] of adjustment

2907

**We've made our hardware versatile
so you can solve your design challenges.**

Need a slide that will work with an array of rail configurations and chassis heights? Look no further. The adaptable 2907 features a thin, low profile with 100% ball bearings—giving you smooth, dependable chassis movement that carries loads up to 115 pounds.

More space

- Narrow width (.38" [9.6 mm]) frees space for wider chassis.
- Low profile (1.62" [41.1 mm]) leaves room for cooling vents, hot swapping, and diagnostic work on 2U–4U chassis.

More access

- Two [50.8 mm] inches of over travel provides plenty of access to front, sides, and back.
- Lock-out feature holds chassis stable during servicing.
- Lever disconnect makes chassis removal and reinsertion easy.

More solutions

- Easily accommodates chassis sizes 1U–4U with a load capacity of 115 pounds [52 kg].
- Compatible with a broad range of third-party racks.
- Slide versatility simplifies designs and narrows inventory/stocking requirements.

More options

- Even lengths: 12 to 30 inches [305–762 mm].
- Bracket kit included with standard packaging offers maximum mounting flexibility.
- Plating: clear zinc.

Authorized Distributor

Accuride

12311 Shoemaker Avenue
Santa Fe Springs, CA 90670
(562) 903-0200
(562) 903-0208 Fax
www accuride.com